

1/2" to 2" Bronze Globe Valves



TAC VA, VF, and VS-7000 series valve assemblies are complete actuator/valve assemblies that accept two-position, floating, and proportional electric/electronic control signals. These valves control water that is 20 to 281 °F (-7 to 138 °C) or steam to 281 °F (138 °C). The Vx-7000 series valves are used for two-position or proportional control applications. These valve assemblies consist of electric or electronic valve actuators either direct-coupled or linked to a 1/2 to 2 inch 2-way or 3-way valve body.

Globe Valves

Features

- 250 psig (1723 kPa) pressure rating per ANSI Standards (816.14-1985) for screwed cast bronze bodies.
- Self-adjusting spring loaded TFE/EPDM packing.
- ANSI IV close off (0.01% leakage).
- Stainless steel stem.
- ISO 9001:2000 Certified Quality Management System.
- 1/2 to 2" threaded bronze globe valves.
- Outstanding performance with over 50 years as a leader in valve design.
- Made in the USA.
- Optional stainless steel trim 340 or 400 °F (171 or 204 °C) operating range.

Table of Contents

7000 Series Valve Assemblies Configurator	30
7000 Series Bronze Globe Valves	32
7000 Series Bronze Globe Valves with Stainless Steel Trim	44
7000 Series Globe Valve Actuator Product Range	56
Valve Sizing Information.	76

7000 Series Globe

V X - 7 X X 3 -

Control Signal Type
 A = Two Position
 B = Valve Body
 F = Floating
 S = Proportional

Connection
 3 = Threaded NPT

Configuration ¹

- 7213 = 2-Way, Stem Up Open Brass Plug EPDM Disc
- 7223 = 2-Way, Stem Up Closed Brass Plug EPDM Disc
- 7253 = 2-Way, Stem Up Open SS Plug Teflon Disc
- 7263 = 2-Way, Stem Up Closed SS Plug Teflon Disc
- 7273 = 2-Way, Stem Up Open High Temp SS Plug
- 7283 = 2-Way, Stem Up Closed High Temp SS Plug
- 7313 = 3-Way, Mixing Brass Plug
- 7323 = 3-Way, Diverting Brass Plug

¹ The configuration of the valve assembly determines the valve stem position and flow, as shipped from the factory. See the table below.

Valve Assemblies	Valve Body Action	Factory Shipped Position	
		Valve Stem	Flow
Vx-7213-xxx-4-P Vx-7253-xxx-4-P Vx-7273-xxx-4-P	2-Way Stem Up Open	Up	Open
Vx-7223-xxx-4-P Vx-7263-xxx-4-P Vx-7283-xxx-4-P	2-Way Stem Up Closed	Up	Closed
Vx-7313-xxx-4-P	3-Way Mixing	Up	Flow B to AB
Vx-7323-xxx-4-P	3-Way Diverting	Up	Flow B to AB

Valve Assemblies



Actuator Code				
Model	Code	Normal Position	Voltage	Type
Two-Position				
MA51-7100	801	SR Up	120 Vac	2-Position
MA51-7103-100 ^a	804	SR Up	24 Vac	2-Position
MA51-7200	592	SR Up	120 Vac	2-Position
MA51-7203	593	SR Up	24 Vac	2-Position
Floating				
MF-22303	255	NSR	24 Vac	3-Wire Floating
MF-22353	256	NSR	24 Vac	3-Wire Floating
MF-23303	265	NSR	24 Vac	3-Wire Floating
MF-63103	301	NSR	24 Vac	3-Wire Floating
MF51-7103-100 ^a	804	SR Up	24 Vac	3-Wire Floating
MF51-7203	593	SR Up	24 Vac	3-Wire Floating
Proportional				
MF-63123-411 ^b	422	NSR	24 Vac	4 to 20 mA
MS-22353	256	NSR	24 Vac	2 to 10 Vdc
MS41-6043	505	NSR	24 Vac	0 to 10 Vdc
MS41-6343	516	NSR	24 Vac	4 to 20 mA
MS51-7103-100 ^a	804	SR Up	24 Vac	2 to 10 Vdc
MS51-7203	593	SR Up	24 Vac	2 to 10 Vdc
MS41-6083	506	NSR	24 Vac	0 to 10 Vdc

SR = Spring Return
NSR = Non-Spring Return

^a Plenum cable wire.
^b MF-63103 with MFC-420 card added.

Note: For detailed information on the VB-7000 series globe valves, refer to the following publications: F-26073, F-26704, F-26075, and F-26076.

Size	2-Way		3-Way		
	Cv	P Code	Cv		P Code
			Mixing	Diverting	
1/2"	0.4	1	—	—	2
	1.3	2	2.2	2.2	
	2.2	3	—	—	
	4.4	4	4.4	4.4	
3/4"	5.5	5	—	—	6
	7.5	6	7.5	7.5	
1"	10.0	7	—	—	8
	14.0	8	14.0	15.0	
1-1/4"	20.0	9	20.0	20.0	9
1-1/2"	28.0	10	28.0	28.0	10
2"	40.0	11	41.0	40.0	11

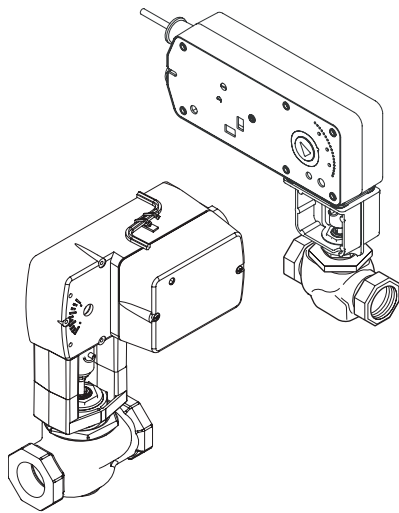
Size	2-Way		3-Way		
	Kvs	P Code	Kvs		P Code
			Mixing	Diverting	
1/2"	0.34	1	—	—	2
	1.12	2	1.12	1.12	
	1.9	3	—	—	
	3.8	4	3.8	3.8	
3/4"	4.7	5	—	—	6
	6.5	6	6.5	6.5	
1"	8.6	7	—	—	8
	12	8	12	12	
1-1/4"	17.3	9	17.3	17.3	9
1-1/2"	24.2	10	24.2	24.2	10
2"	34.6	11	34.6	34.6	11

Globe Valves

7000 Series Bronze Globe Valves

Two-Way Normally Open

Globe Valves



1/2 to 2 in. Screwed NPT
Two-Way Normally Open
Spring Return
Stem Up Open

Flow Type	Equal %.
Body	Bronze.
Seat	Bronze.
Stem	Stainless steel.
Material Plug	Brass.
Packing	Spring loaded EPDM and TFE.
Disc	Composition.
ANSI Pressure Class	250 psig (1723 kPa).
Max. Inlet Pressure Steam	35 psig (240 kPa).
Allowable Control Media Temperature	20 to 281 °F (-7 to 138 °C).
Differential Pressure psi (kPa)	
Water	35 (241).
Steam	20 (138).
Close-Off Rating	ANSI IV (0.01% leakage)


Two-Way Normally Open Assemblies

Size in.	Cv (K _{vs})	Close-Off Pressure psi (kPa)	Two Position	Three Wire Floating 24 Vac	Proportional ^a 2-10 Vdc or 4-20 ma	Voltage Vac
1/2	0.4 (0.34)	250 (1723)	VA-7213-801-4-01	—	—	120
			VA-7213-804-4-01	VF-7213-804-4-01	VS-7213-804-4-01	24
	1.3 (1.1)		VA-7213-801-4-02	—	—	120
			VA-7213-804-4-02	VF-7213-804-4-02	VS-7213-804-4-02	24
	2.2 (1.9)		VA-7213-801-4-03	—	—	120
			VA-7213-804-4-03	VF-7213-804-4-03	VS-7213-804-4-03	24
	4.4 (3.8)		VA-7213-801-4-04	—	—	120
VA-7213-804-4-04		VF-7213-804-4-04	VS-7213-804-4-04	24		
3/4	5.5 (4.7)	200 (1379)	VA-7213-801-4-05	—	—	120
	7.5 (6.5)		VA-7213-804-4-05	VF-7213-804-4-05	VS-7213-804-4-05	24
			VA-7213-801-4-06	—	—	120
			VA-7213-804-4-06	VF-7213-804-4-06	VS-7213-804-4-06	24
1	10 (8.6)	150 (1034)	VA-7213-801-4-07	—	—	120
	14 (12)		VA-7213-804-4-07	VF-7213-804-4-07	VS-7213-804-4-07	24
			VA-7213-801-4-08	—	—	120
			VA-7213-804-4-08	VF-7213-804-4-08	VS-7213-804-4-08	24
1-1/4	20 (17.3)	90 (620.5)	VA-7213-801-4-09	—	—	120
1-1/2	28 (21.2)	60 (413.6)	VA-7213-804-4-09	VF-7213-804-4-09	VS-7213-804-4-09	24
			VA-7213-801-4-10	—	—	120
2	40 (34.6)	32 (222.6)	VA-7213-804-4-10	VF-7213-804-4-10	VS-7213-804-4-10	24
			VA-7213-801-4-11	—	—	120
2	40 (34.6)	32 (222.6)	VA-7213-804-4-11	VF-7213-804-4-11	VS-7213-804-4-11	24
			VA-7213-801-4-11	—	—	120
Higher Close Off						
1-1/4	20 (17.3)	150 (1034)	VA-7213-592-4-09	—	—	120
			VA-7213-593-4-09	VF-7213-593-4-09	VS-7213-593-4-09	24
1-1/2	28 (21.2)	100 (689.5)	VA-7213-592-4-10	—	—	120
			VA-7213-593-4-10	VF-7213-593-4-10	VS-7213-593-4-10	24
2	40 (34.6)	65 (448)	VA-7213-592-4-11	—	—	120
			VA-7213-593-4-11	VF-7213-593-4-11	VS-7213-593-4-11	24

^a Factory proportional control signal is direct-acting. An increase in control signal will open a N.C. valve and close a N.O. valve.

7000 Series Bronze Globe Valves Two-Way Normally Open

Actuator Code Table.

Vx-7213-xxx-4-xx


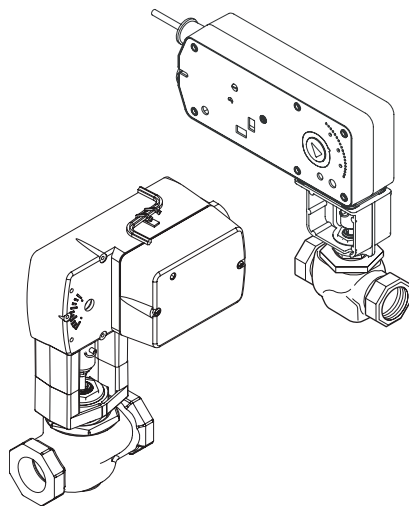
Actuator Codes	Model Prefix	Actuator Model (Reference pages 56 thru 59)	Description	Wiring Diagrams		Dimension Information	
				Page	Figure	Page	Figure
592	VA	MA51-7200	120 Vac, 2-Position	177	14	211	82
593	VA	MA51-7203	24 Vac, 2-Position	177	14	211	82
593	VF	MF51-7203	24 Vac, 3-Wire Floating	185 to 186	32 to 35	211	82
593	VS	MS51-7203	24 Vac, 2-10 Vdc Input ^a	198 to 199	63 to 66	211	82
801	VA	MA51-7100	120 Vac, 2-Position	177	14	210	80
804	VA	MA51-7103-100	24 Vac, 2-Position	177	14	210	80
804	VF	MF51-7103-100	24 Vac, 3-Wire Floating	185 to 186	32 to 35	210	80
804	VS	MS51-7103-100	24 Vac, 2-10 Vdc Input ^a	197	60 to 62	210	80

^a Reversible control signal.

7000 Series Bronze Globe Valves

Two-Way Normally Closed

Globe Valves



1/2 to 2 in. Screwed NPT
Two-Way Normally Closed
Spring Return
Stem Up Closed

Flow Type	Equal %.
Material	Body Bronze. Seat Bronze. Stem Stainless steel. Plug Brass. Packing Spring loaded EPDM and TFE. Disc Composition.
ANSI Pressure Class	250 psig (1723 kPa).
Max. Inlet Pressure Steam	35 psig (240 kPa).
Allowable Control Media Temperature	20 to 281 °F (-7 to 138 °C).
Differential Pressure psi (kPa)	
	Water 35 (241). Steam 20 (138).
Close-Off Rating	ANSI IV (0.01% leakage).

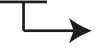
Two-Way Normally Closed Assemblies

Size in.	Cv (K _{vs})	Close-Off Pressure psi (kPa)	Two Position	Three Wire Floating 24 Vac	Proportional ^a 2-10 Vdc or 4-20 ma	Voltage Vac
1/2	0.4 (0.34)	250 (1723)	VA-7223-801-4-01	—	—	120
			VA-7223-804-4-01	VF-7223-804-4-01	VS-7223-804-4-01	24
	1.3 (1.1)		VA-7223-801-4-02	—	—	120
			VA-7223-804-4-02	VF-7223-804-4-02	VS-7223-804-4-02	24
	2.2 (1.9)		VA-7223-801-4-03	—	—	120
			VA-7223-804-4-03	VF-7223-804-4-03	VS-7223-804-4-03	24
4.4 (3.8)	VA-7223-801-4-04	—	—	120		
	VA-7223-804-4-04	VF-7223-804-4-04	VS-7223-804-4-04	24		
3/4	5.5 (4.7)	200 (1379)	VA-7223-801-4-05	—	—	120
			VA-7223-804-4-05	VF-7223-804-4-05	VS-7223-804-4-05	24
	7.5 (6.5)		VA-7223-801-4-06	—	—	120
			VA-7223-804-4-06	VF-7223-804-4-06	VS-7223-804-4-06	24
1	10 (8.6)	90 (620.5)	VA-7223-801-4-07	—	—	120
			VA-7223-804-4-07	VF-7223-804-4-07	VS-7223-804-4-07	24
	14 (12)		VA-7223-801-4-08	—	—	120
			VA-7223-804-4-08	VF-7223-804-4-08	VS-7223-804-4-08	24
1-1/4	20 (17.3)	60 (413.5)	VA-7223-801-4-09	—	—	120
			VA-7223-804-4-09	VF-7223-804-4-09	VS-7223-804-4-09	24
1-1/2	28 (21.2)	35 (241)	VA-7223-801-4-10	—	—	120
			VA-7223-804-4-10	VF-7223-804-4-10	VS-7223-804-4-10	24
2	40 (34.6)	20 (138)	VA-7223-801-4-11	—	—	120
			VA-7223-804-4-11	VF-7223-804-4-11	VS-7223-804-4-11	24
Higher Close-Off						
1-1/4	20 (17.3)	150 (1034)	VA-7223-592-4-09	—	—	120
			VA-7223-593-4-09	VF-7223-593-4-09	VS-7223-593-4-09	24
1-1/2	28 (21.2)	100 (689.5)	VA-7223-592-4-10	—	—	120
			VA-7223-593-4-10	VF-7223-593-4-10	VS-7223-593-4-10	24
2	40 (34.6)	60 (413.6)	VA-7223-592-4-11	—	—	120
			VA-7223-593-4-11	VF-7223-593-4-11	VS-7223-593-4-11	24

^a Factory proportional control signal is direct-acting. An increase in control signal will open a N.C. valve and close a N.O. valve.

7000 Series Bronze Globe Valves Two-Way Normally Closed

Actuator Code Table.

Vx-7223-xxx-4-xx


Actuator Codes	Model Prefix	Actuator Model (Reference pages 56 thru 59)	Description	Wiring Diagrams		Dimension Information	
				Page	Figure	Page	Figure
592	VA	MA51-7200	120 Vac, 2-Position	177	14	211	82
593	VA	MA51-7203	24 Vac, 2-Position	177	14	211	82
593	VF	MF51-7203	24 Vac, 3-Wire Floating	185 to 186	32 to 35	211	82
593	VS	MS51-7203	24 Vac, 2-10 Vdc Input ^a	198 to 199	63 to 66	211	82
801	VA	MA51-7100	120 Vac, 2-Position	177	14	210	80
804	VA	MA51-7103-100	24 Vac, 2-Position	177	14	210	80
804	VF	MF51-7103-100	24 Vac, 3-Wire Floating	185 to 186	32 to 35	210	80
804	VS	MS51-7103-100	24 Vac, 2-10 Vdc Input ^a	197	60 to 62	210	80

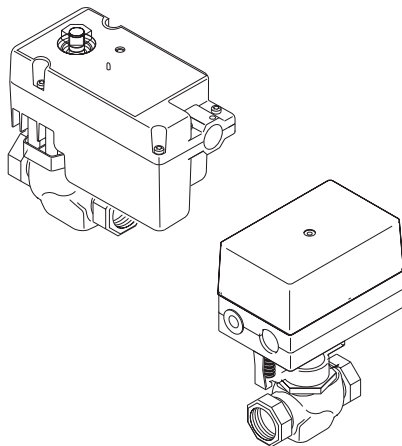
^a Reversible control signal.

Globe Valves

7000 Series Bronze Globe Valves

Two-Way Non-Spring Return

Globe Valves



1/2 to 2 in. Screwed NPT

Two-Way Non-Spring Return

Stem Up Open

Flow Type	Equal %.
Body	Bronze.
Seat	Bronze.
Stem	Stainless steel.
Material Plug	Brass.
Packing	Spring loaded EPDM and TFE.
Disc	Composition.
ANSI Pressure Class	250 psig (1723 kPa).
Max. Inlet Pressure Steam	35 psig (240 kPa).
Allowable Control Media Temperature	20 to 281 °F (-7 to 138 °C).
Differential Pressure (psig (kPa))	
Water	35 (241).
Steam	20 (138).
Close-Off Rating	ANSI IV (0.01% leakage).

Size in.	Cv (K _{vs})	Close-Off Pressure psi (kPa)	Three Wire Floating 24 Vac	Proportional ^a 2-10 Vdc or 4-20 ma
1/2	0.4 (0.34)	130 (896)	VF-7213-255-4-01	VS-7213-256-4-01
		250 (1723)	VF-7213-265-4-01	—
	1.3 (1.1)	130 (896)	VF-7213-255-4-02	VS-7213-256-4-02
		250 (1723)	VF-7213-265-4-02	—
	2.2 (1.9)	130 (896)	VF-7213-255-4-03	VS-7213-256-4-03
		250 (1723)	VF-7213-265-4-03	—
4.4 (3.8)	130 (896)	VF-7213-255-4-04	VS-7213-256-4-04	
	250 (1723)	VF-7213-265-4-04	—	
3/4	5.5 (4.7)	80 (551)	VF-7213-255-4-05	VS-7213-256-4-05
		170 (1172)	VF-7213-265-4-05	—
	7.5 (6.5)	80 (551)	VF-7213-255-4-06	VS-7213-256-4-06
		170 (1172)	VF-7213-265-4-06	—
1	10 (8.6)	40 (276)	VF-7213-255-4-07	VS-7213-256-4-07
		80 (551)	VF-7213-265-4-07	—
		100 (689)	—	VS-7213-505-4-07
	14 (12)	40 (276)	VF-7213-255-4-08	VS-7213-256-4-08
		80 (551)	VF-7213-265-4-08	—
		100 (689)	—	VS-7213-505-4-08
1-1/4	20 (17.3)	25 (172)	VF-7213-255-4-09	VS-7213-256-4-09
		50 (345)	VF-7213-265-4-09	—
		60 (144)	—	VS-7213-505-4-09
1-1/2	28 (21.2)	33 (227)	VF-7213-265-4-10	—
		40 (276)	—	VS-7213-505-4-10
2	40 (34.6)	20 (138)	—	VS-7213-505-4-11

^a Factory proportional control signal is direct-acting. An increase in control signal will close a stem up open valve.


7000 Series Bronze Globe Valves Two-Way Non-Spring Return

Globe Valves

Size in.	Cv (Kvs)	Close-Off Pressure psig (kPa)	Three Wire Floating 24 Vac	Proportional ^a Vdc or 4-20ma
Higher Close Off				
1-1/4	20 (17.3)	100 (689)	—	VS-7213-506-4-09
		150 (1034)	VF-7213-301-4-09	VS-7213-422-4-09
1-1/2	28 (21.2)	70 (483)	—	VS-7213-506-4-10
		100 (689)	VF-7213-301-4-10	VS-7213-422-4-10
2	40 (34.6)	40 (276)	—	VS-7213-506-4-11
		50 (345)	VF-7213-301-4-11	VS-7213-422-4-11
Highest Close Off				
2	40 (34.6)	80 (551)	VF-7213-508-4-11	VS-7213-508-4-11

^a Factory proportional control signal is direct-acting. An increase in control signal will close a stem up open valve.

Actuator Code Table.

Vx-7213-xxx-4-xx


Actuator Codes	Model Prefix	Actuator Model (Reference pages 56 thru 59)	Description	Wiring Diagrams		Dimension Information	
				Page	Figure	Page	Figure
255	VF	MF-22303	24 Vac, 3-Wire Floating	177	15	209	78
256	VS	MS-22353	24 Vac, 2-10 Vdc Control	187 to 188	38 to 39	209	78
265	VF	MF-23303	24 Vac, 3-Wire Floating ^a	177	15	209	78
301	VF	MF-63103	24 Vac, 3-Wire Floating	177	16	209	79
422	VS	MF-63123-411	24 Vac, 4-20 mA Input ^b	186	36	209	79
505	VS	MS41-6043	24 Vac, 0-10 Vdc Control ^b	192	49 to 50	208	76
506	VS	MS41-6083	24 Vac 0-10 Vdc Input	192	49	208	76
508	VF	MF41-6153	24 Vac, 3-Wire Floating	179	20	212	84
508	VS	MS41-6153	24 Vac, 2-10 Vdc Input ^b	193	51 to 52	212	84

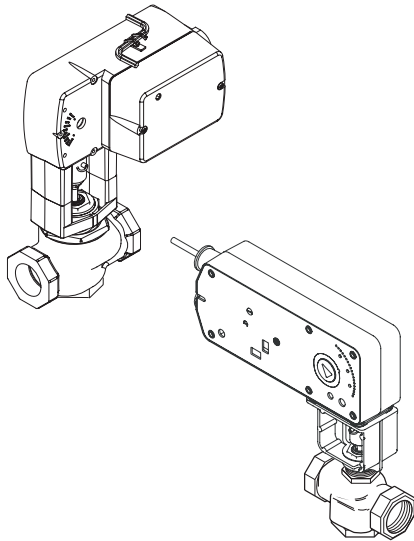
^a Requires a control with time out.

^b Reversible control signal.

7000 Series Bronze Globe Valves

Three-Way Mixing

Globe Valves



1/2 to 2 in. Screwed NPT
Three-Way Mixing
Spring Return Stem Up
Normally Closed A to AB


Flow Type	Mixing.
Body	Bronze.
Seat	Bronze.
Material Stem	Stainless steel.
Plug	Brass.
Packing	Spring loaded EPDM and TFE.
ANSI Pressure Class	250 psig (1723 kPa).
Allowable Control Media Temperature	20 to 300 °F (-7 to 149 °C).
Allowable Differential Pressure for Water	35 psi (241 kPa).
Close-Off Rating	ANSI III (0.1% leakage).

Size in.	Cv (Kvs)	Close-Off Pressure psi (kPa)	Two Position	Three Wire Floating 24 Vac	Proportional ^a 2-10 Vdc or 4-20 ma	Voltage Vac
1/2	2.2 (1.9)	250 (1723)	VA-7313-801-4-02	—	—	120
			VA-7313-804-4-02	VF-7313-804-4-02	VS-7313-804-4-02	24
	4.4 (3.8)		VA-7313-801-4-04	—	—	120
			VA-7313-804-4-04	VF-7313-804-4-04	VS-7313-804-4-04	24
3/4	7.5 (6.5)	200 (1379)	VA-7313-801-4-06	—	—	120
			VA-7313-804-4-06	VF-7313-804-4-06	VS-7313-804-4-06	24
1	14 (12)	90 (620.5)	VA-7313-801-4-08	—	—	120
			VA-7313-804-4-08	VF-7313-804-4-08	VS-7313-804-4-08	24
1-1/4	20 (17.3)	60 (413.6)	VA-7313-801-4-09	—	—	120
			VA-7313-804-4-09	VF-7313-804-4-09	VS-7313-804-4-09	24
1-1/2	28 (21.2)	35 (241)	VA-7313-801-4-10	—	—	120
			VA-7313-804-4-10	VF-7313-804-4-10	VS-7313-804-4-10	24
2	40 (34.6)	20 (138)	VA-7313-801-4-11	—	—	120
			VA-7313-804-4-11	VF-7313-804-4-11	VS-7313-804-4-11	24
Higher Close Off						
1-1/4	20 (17.3)	150 (1034)	VA-7313-592-4-09	—	—	120
			VA-7313-593-4-09	VF-7313-593-4-09	VS-7313-593-4-09	24
1-1/2	28 (21.2)	100 (689)	VA-7313-592-4-10	—	—	120
			VA-7313-593-4-10	VF-7313-593-4-10	VS-7313-593-4-10	24
2	40 (34.6)	65 (448)	VA-7313-592-4-11	—	—	120
			VA-7313-593-4-11	VF-7313-593-4-11	VS-7313-593-4-11	120

^a Factory proportional control signal is direct-acting. An increase in control signal will open A and close B port.

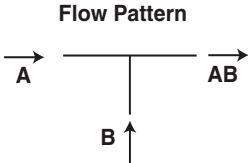
7000 Series Bronze Globe Valves Three-Way Mixing

Actuator Code Table.

Vx-7313-xxx-4-xx


Actuator Codes	Model Prefix	Actuator Model (Reference pages 56 thru 59)	Description	Wiring Diagrams		Dimension Information	
				Page	Figure	Page	Figure
592	VA	MA51-7200	120 Vac, 2-Position	177	14	211	83
593	VA	MA51-7203	24 Vac, 2-Position	177	14	211	83
593	VF	MF51-7203	24 Vac, 3-Wire Floating	185 to 186	32 to 35	211	83
593	VS	MS51-7203	24 Vac, 2-10 Vdc Input ^a	198 to 199	63 to 66	211	83
801	VA	MA51-7100	120 Vac, 2-Position	177	14	210	81
804	VA	MA51-7103-100	24 Vac, 2-Position	177	14	210	81
804	VF	MF51-7103-100	24 Vac, 3-Wire Floating	185 to 186	32 to 35	210	81
804	VS	MS51-7103-100	24 Vac, 2-10 Vdc Input ^a	197	60 to 62	210	81

^a Reversible control signal.

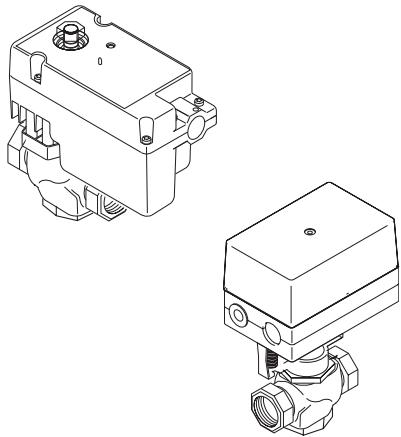


Globe Valves

7000 Series Bronze Globe Valves

Three-Way Mixing

Globe Valves



1/2 to 2 in. Screwed NPT
Three-Way Mixing
Non-Spring Return
Stem Up Closed A to AB


Flow Type	Mixing.
Body	Bronze.
Seat	Bronze.
Material Stem	Stainless steel.
Plug	Brass.
Packing	Spring loaded EPDM and TFE.
ANSI Pressure Class	250 psig (1723 kPa).
Allowable Control Media Temperature	20 to 300 °F (-7 to 149 °C).
Allowable Differential Pressure for Water	35 psi (241 kPa).
Close-Off Rating	ANSI III (0.1% leakage).

Size in.	Cv (K _{vs})	Close-Off Pressure psi (kPa)	Three Wire Floating 24 Vac	Proportional ^a 2-10 Vdc or 4-20 ma
1/2	2.2 (1.9)	130 (896) ⁱ	VF-7313-255-4-02	VS-7313-256-4-02
		250 (1723)	VF-7313-265-4-02	—
	4.4 (3.8)	130 (896)	VF-7313-255-4-04	VS-7313-256-4-04
		250 (1723)	VF-7313-265-4-04	—
3/4	7.5 (6.5)	80 (551)	VF-7313-255-4-06	VS-7313-256-4-06
		170 (1172)	VF-7313-265-4-06	—
1	14 (12)	40 (276)	VF-7313-255-4-08	VS-7313-256-4-08
		80 (551)	VF-7313-265-4-08	—
1-1/4	20 (17.3)	25 (172)	VF-7313-255-4-09	VS-7313-256-4-09
		50 (345)	VF-7313-265-4-09	—
1-1/2	28 (21.2)	33 (227)	VF-7313-265-4-10	—
2	40 (34.6)	20 (138)	VF-7313-505-4-11	—
Higher Close Offs				
1-1/4	20 (17.3)	120 (827)	—	VS-7313-506-4-09
		150 (1034)	VF-7313-301-4-09	VS-7313-422-4-09
1-1/2	28 (21.2)	75 (518)	—	VS-7313-506-4-10
		100 (689)	VF-7313-301-4-10	VS-7313-422-4-10
2	40 (34.6)	40 (276)	—	VS-7313-506-4-11
		50 (345)	VF-7313-301-4-11	VS-7313-422-4-11
Highest Close Offs				
2	40 (34.6)	80 (551)	VF-7313-508-4-11	VS-7313-508-4-11

^a Factory proportional control signal is direct-acting. An increase in control signal will open A and close B port.

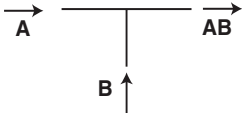
7000 Series Bronze Globe Valves Three-Way Mixing

Actuator Code Table.

Vx-7313-xxx-4-xx


Actuator Codes	Model Prefix	Actuator Model (Reference pages 56 thru 59)	Description	Wiring Diagrams		Dimension Information	
				Page	Figure	Page	Figure
255	VF	MF-22303	24 Vac, 3-Wire Floating	177	15	213	86
265	VF	MF-23303	24 Vac, 3-Wire Floating	177	15	213	86
301	VF	MF-63103	24 Vac, 3-Wire Floating	177	16	213	87
422	VS	MF-63123-411	24 Vac, 4 to 20 mA Input	186	36	213	87
505	VF	MF41-6043	24 Vac, 3-Wire Floating	178	19	208	76
506	VS	MS41-6083	24 Vac, 0-10 Vdc Input	192	50	208	76
508	VF	MF41-6153	24 Vac, 3-Wire Floating	179	20	212	85
508	VS	MS41-6153	24 Vac, 2-10 Vdc Control	192	51 to 52	188	77
256	VS	MS-22353	24 Vac, 0-10 Vac Input	187 to 188	38 to 39	185	70

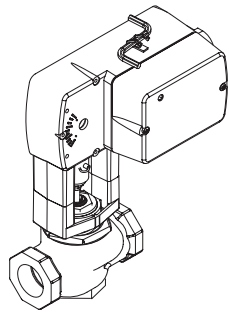
Flow Pattern



Globe Valves

7000 Series Bronze Globe Valves

Three-Way Diverting



1/2 to 2 in. Screwed NPT
Three-Way Diverting
Spring Return Stem Up Normally Closed B to A

Flow Type	Diverting.
Body	Bronze.
Seat	Bronze.
Material Stem	Stainless steel.
Plug	Brass.
Packing	Spring loaded EPDM and TFE.
ANSI Pressure Class	250 psig (1723 kPa).
Allowable Control Media Temperature	20 to 300 °F (-7 to 149 °C).
Allowable Differential Pressure for Water	35 psi (241 kPa).
Close-Off Rating	ANSI III (0.1% leakage).

Globe Valves

Size in.	Cv (K _{vs})	Close-Off Pressure psi (kPa)	Two Position	Three Wire Floating 24 Vac	Proportional ^a 2-10 Vdc or 4-20 ma	Voltage Vac
1/2	4.4 (3.8)	250 (1723)	VA-7323-801-4-04	—	—	120
			VA-7323-804-4-04	VF-7323-804-4-04	VS-7323-804-4-04	24
3/4	7.5 (6.5)		VA-7323-801-4-06	—	—	120
			VA-7323-804-4-06	VF-7323-804-4-06	VS-7323-804-4-06	24
1	14 (12)		VA-7323-801-4-08	—	—	120
			VA-7323-804-4-08	VF-7323-804-4-08	VS-7323-804-4-08	24
1-1/4	20 (17.3)		VA-7323-801-4-09	—	—	120
			VA-7323-804-4-09	VF-7323-804-4-09	VS-7323-804-4-09	24
1-1/2	28 (21.2)		VA-7323-801-4-10	—	—	120
			VA-7323-804-4-10	VF-7323-804-4-10	VS-7323-804-4-10	24
2	40 (34.6)		VA-7323-801-4-11	—	—	120
			VA-7323-804-4-11	VF-7323-804-4-11	VS-7323-804-4-11	24

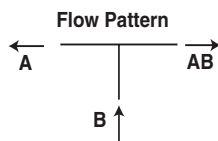
^a Factory proportional control signal is direct-acting. An increase in control signal will open B to A port and close B to AB.

Actuator Code Table.

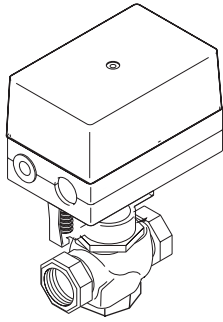
Vx-7323-xxx-4-xx

Actuator Codes	Model Prefix	Actuator Model (Reference pages 56 thru 59)	Description	Wiring Diagrams		Dimension Information	
				Page	Figure	Page	Figure
801	VA	MA51-7100	120 Vac, 2-Position	177	14	210	81
804	VA	MA51-7103-100	24 Vac, 2-Position	177	14	210	81
804	VF	MF51-7103-100	24 Vac, 3-Wire Floating	185 to 186	32 to 35	210	81
804	VS	MS51-7103-100	24 Vac, 2-10 Vdc Input ^a	197	60 to 62	210	81

^a Reversible control signal.



7000 Series Bronze Globe Valves Three-Way Diverting



1/2 to 2 in. Screwed NPT
Three-Way Diverting
Non-Spring Return
Stem Up Closed B to A

Flow Type	Diverting.
Body	Bronze.
Seat	Bronze.
Material Stem	Stainless steel.
Plug	Brass.
Packing	Spring loaded EPDM and TFE.
ANSI Pressure Class	250 psig (1723 kPa).
Allowable Control Media Temperature	20 to 300 °F (-7 to 149 °C).
Allowable Differential Pressure for Water	35 psi (241 kPa).
Close-Off Rating	ANSI III (0.1% leakage).

Globe Valves

Size in.	Cv (Kvs)	Close-Off Pressure psi (kPa)	Three Wire Floating ^a 24 Vac	Proportional ^b 0-10 Vdc
1/2	4.4 (3.8)	250 (1723)	—	VS-7323-505-4-04
			VF-7323-265-4-04	VS-7323-422-4-04
3/4	7.5 (6.5)		—	VS-7323-505-4-06
			VF-7323-265-4-06	VS-7323-422-4-06
1	14 (12)		—	VS-7323-505-4-08
			VF-7323-265-4-08	VS-7323-422-4-08
1-1/4	20 (17.3)		—	VS-7323-505-4-09
			VF-7323-265-4-09	VS-7323-422-4-09
1-1/2	28 (21.2)		—	VS-7323-505-4-10
			VF-7323-265-4-10	VS-7323-422-4-10
2	40 (34.6)		—	VS-7323-505-4-11
		VF-7323-265-4-11	VS-7323-422-4-11	

^a Requires time out feature in controller.

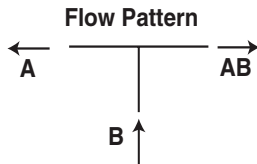
^b Factory proportional control signal is direct-acting. An increase in control signal will open B to A port and close B to AB.

Actuator Code Table.

Vx-7323-xxx-4-xx
→

Actuator Codes	Model Prefix	Actuator Model (Reference pages 56 thru 58)	Description	Wiring Diagrams		Dimension Information	
				Page	Figure	Page	Figure
265	VF	MF-23303	24 Vac, 3-Wire Floating	177	15	209	78
422	VS	MF-63123-411	24 Vac, 4-20 mA Input ^a	186	36	209	79
505	VS	MS41-6043	24 Vac, 0-10 Vac Input	192	49 to 50	208	77

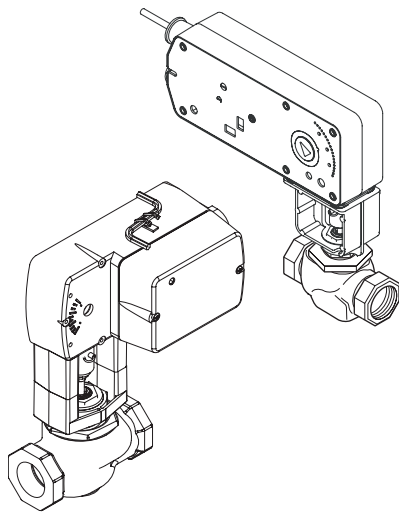
^a Reversible control signal.



7000 Series Bronze Globe Valves with Stainless Steel Trim

Two-Way Normally Open

Globe Valves



1/2 to 2 in. Screwed NPT
Two-Way Normally Open
Spring Return
Stem Up Open

Flow Type	Modified linear.
Material	
Body	Bronze.
Seat	Stainless steel.
Stem	Stainless steel.
Plug	Stainless steel.
Packing	Spring loaded EPDM and TFE.
Disc	Teflon [®] .
ANSI Pressure Class	250 psig (1723 kPa).
Max. Inlet Pressure Steam	100 psig (690 kPa).
Allowable Control Media Temperature	20 to 340 °F (-7 to 171 °C).
Differential Pressure psi (kPa)	
Water or Steam	35 (241).
Close-Off Rating	ANSI IV (0.01% leakage).


Two-Way Normally Open Assemblies

Size in.	Cv (Kvs)	Close-Off Pressure psi (kPa)	Two Position	Three Wire Floating 24 Vac	Proportional ^a 2-10 Vdc or 4-20 ma	Voltage Vac
1/2	0.4 (0.34)	250 (1723)	VA-7253-801-4-01	—	—	120
			VA-7253-804-4-01	VF-7253-804-4-01	VS-7253-804-4-01	24
	1.3 (1.1)		VA-7253-801-4-02	—	—	120
			VA-7253-804-4-02	VF-7253-804-4-02	VS-7253-804-4-02	24
	2.2 (1.9)		VA-7253-801-4-03	—	—	120
			VA-7253-804-4-03	VF-7253-804-4-03	VS-7253-804-4-03	24
	4.4 (3.8)		VA-7253-801-4-04	—	—	120
			VA-7253-804-4-04	VF-7253-804-4-04	VS-7253-804-4-04	24
3/4	5.5 (4.7)	200 (1379)	VA-7253-801-4-05	—	—	120
			VA-7253-804-4-05	VF-7253-804-4-05	VS-7253-804-4-05	24
	7.5 (6.5)		VA-7253-801-4-06	—	—	120
			VA-7253-804-4-06	VF-7253-804-4-06	VS-7253-804-4-06	24
1	10 (8.6)	150 (1034)	VA-7253-801-4-07	—	—	120
			VA-7253-804-4-07	VF-7253-804-4-07	VS-7253-804-4-07	24
	14 (12)		VA-7253-801-4-08	—	—	120
			VA-7253-804-4-08	VF-7253-804-4-08	VS-7253-804-4-08	24
1-1/4	20 (17.3)	90 (620.5)	VA-7253-801-4-09	—	—	120
			VA-7253-804-4-09	VF-7253-804-4-09	VS-7253-804-4-09	24
1-1/2	28 (21.2)	60 (413.6)	VA-7253-801-4-10	—	—	120
			VA-7253-804-4-10	VF-7253-804-4-10	VS-7253-804-4-10	24
2	40 (34.6)	32 (222.6)	VA-7253-801-4-11	—	—	120
			VA-7253-804-4-11	VF-7253-804-4-11	VS-7253-804-4-11	24
Higher Close Off						
1-1/4	20 (17.3)	150 (1034)	VA-7253-592-4-09	—	—	120
			VA-7253-593-4-09	VF-7253-593-4-09	VS-7253-593-4-09	24
1-1/2	28 (21.2)	100 (689.5)	VA-7253-592-4-10	—	—	120
			VA-7253-593-4-10	VF-7253-593-4-10	VS-7253-593-4-10	24
2	40 (34.6)	65 (448)	VA-7253-592-4-11	—	—	120
			VA-7253-593-4-11	VF-7253-593-4-11	VS-7253-593-4-11	24

^a Factory proportional control signal is direct-acting. An increase in control signal will open a N.C. valve and close a N.O. valve.

7000 Series Bronze Globe Valves with Stainless Steel Trim Two-Way Normally Open

Actuator Code Table.

Vx-7253-xxx-4-xx


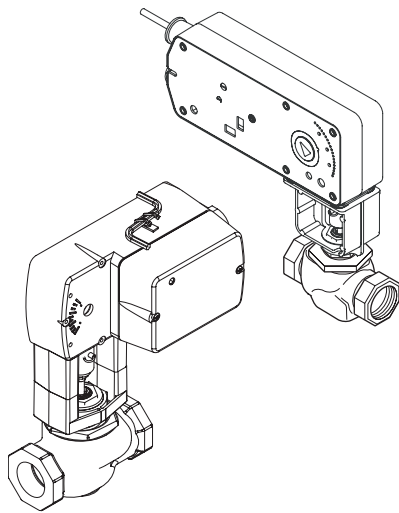
Actuator Codes	Model Prefix	Actuator Model (Reference pages 56 thru 59)	Description	Wiring Diagrams		Dimension Information	
				Page	Figure	Page	Figure
592	VA	MA51-7200	120 Vac, 2-Position	177	14	211	82
593	VA	MA51-7203	24 Vac, 2-Position	177	14	211	82
593	VF	MF51-7203	24 Vac, 3-Wire Floating	185 to 186	32 to 35	211	82
593	VS	MS51-7203	24 Vac, 2-10 Vdc Input ^a	198 to 199	63 to 66	211	82
801	VA	MA51-7100	120 Vac, 2-Position	177	14	210	80
804	VA	MA51-7103-100	24 Vac, 2-Position	177	14	210	80
804	VF	MF51-7103-100	24 Vac, 3-Wire Floating	185 to 186	32 to 35	210	80
804	VS	MS51-7103-100	24 Vac, 2-10 Vdc Input ^a	197	60 to 62	210	80

^a Reversible control signal.

Globe Valves

7000 Series Bronze Globe Valves with Stainless Steel Trim (Metal Seat) Two-Way Normally Open

Globe Valves



1/2 to 2 in. Screwed NPT
Two-Way Normally Open
Spring Return
Stem Up Open

Flow Type	Modified linear.
Material	
Body	Bronze.
Seat	Stainless steel, metal to metal.
Stem	Stainless steel.
Plug	Stainless steel.
Packing	Spring loaded EPDM and TFE.
Disc	None.
ANSI Pressure Class	250 psig (1723 kPa)
Max. Inlet Pressure Steam	150 psig (1034 kPa).
Allowable Control Media Temperature	20 to 400 °F (-7 to 205 °C).
Differential Pressure psi (kPa)	
Water	35 (241).
Steam	50 (345).
Close-Off Rating	ANSI III (0.1% leakage).


Two-Way Normally Open Assemblies

Size in.	Cv (K _{vs})	Close-Off Pressure psi (kPa)	Two Position	Three Wire Floating 24 Vac	Proportional ^a 2-10 Vdc or 4-20 ma	Voltage Vac
1/2	0.4 (0.34)	250 (1723)	VA-7273-801-4-01	—	—	120
			VA-7273-804-4-01	VF-7273-804-4-01	VS-7273-804-4-01	24
	1.3 (1.1)		VA-7273-801-4-02	—	—	120
			VA-7273-804-4-02	VF-7273-804-4-02	VS-7273-804-4-02	24
	2.2 (1.9)		VA-7273-801-4-03	—	—	120
			VA-7273-804-4-03	VF-7273-804-4-03	VS-7273-804-4-03	24
	4.4 (3.8)		VA-7273-801-4-04	—	—	120
VA-7273-804-4-04		VF-7273-804-4-04	VS-7273-804-4-04	24		
3/4	5.5 (4.7)	200 (1379)	VA-7273-801-4-05	—	—	120
			VA-7273-804-4-05	VF-7273-804-4-05	VS-7273-804-4-05	24
	7.5 (6.5)		VA-7273-801-4-06	—	—	120
			VA-7273-804-4-06	VF-7273-804-4-06	VS-7273-804-4-06	24
1	10 (8.6)	150 (1034)	VA-7273-801-4-07	—	—	120
			VA-7273-804-4-07	VF-7273-804-4-07	VS-7273-804-4-07	24
	14 (12)		VA-7273-801-4-08	—	—	120
			VA-7273-804-4-08	VF-7273-804-4-08	VS-7273-804-4-08	24
1-1/4	20 (17.3)	90 (620.5)	VA-7273-801-4-09	—	—	120
			VA-7273-804-4-09	VF-7273-804-4-09	VS-7273-804-4-09	24
1-1/2	28 (21.2)	60 (413.6)	VA-7273-801-4-10	—	—	120
			VA-7273-804-4-10	VF-7273-804-4-10	VS-7273-804-4-10	24
2	40 (34.6)	32 (222.6)	VA-7273-801-4-11	—	—	120
			VA-7273-804-4-11	VF-7273-804-4-11	VS-7273-804-4-11	24
Higher Close Off						
1-1/4	20 (17.3)	150 (1034)	VA-7273-592-4-09	—	—	120
			VA-7273-593-4-09	VF-7273-593-4-09	VS-7273-593-4-09	24
1-1/2	28 (21.2)	100 (689.5)	VA-7273-592-4-10	—	—	120
			VA-7273-593-4-10	VF-7273-593-4-10	VS-7273-593-4-10	24
2	40 (34.6)	65 (448)	VA-7273-592-4-11	—	—	120
			VA-7273-593-4-11	VF-7273-593-4-11	VS-7273-593-4-11	24

^a Factory proportional control signal is direct-acting. An increase in control signal will open a N.C. valve and close a N.O. valve.

7000 Series Bronze Globe Valves with Stainless Steel Trim (Metal Seat) Two-Way Normally Open

Actuator Code Table.

Vx-7273-xxx-4-xx


Actuator Codes	Model Prefix	Actuator Model (Reference pages 56 thru 59)	Description	Wiring Diagrams		Dimension Information	
				Page	Figure	Page	Figure
592	VA	MA51-7200	120 Vac, 2-Position	177	14	211	82
593	VA	MA51-7203	24 Vac, 2-Position	177	14	211	82
593	VF	MF51-7203	24 Vac, 3-Wire Floating	185 to 186	32 to 35	211	82
593	VS	MS51-7203	24 Vac, 2-10 Vdc Input ^a	198 to 199	63 to 66	211	82
801	VA	MA51-7100	120 Vac, 2-Position	177	14	210	80
804	VA	MA51-7103-100	24 Vac, 2-Position	177	14	210	80
804	VF	MF51-7103-100	24 Vac, 3-Wire Floating	185 to 186	32 to 35	210	80
804	VS	MS51-7103-100	24 Vac, 2-10 Vdc Input ^a	197	60 to 62	210	80

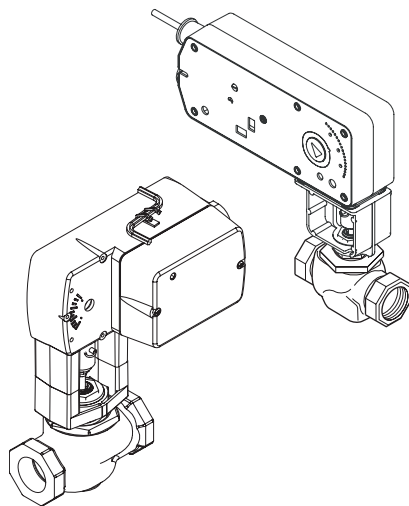
^a Reversible control signal.

Globe Valves

7000 Series Bronze Globe Valves with Stainless Steel Trim

Two-Way Normally Closed

Globe Valves



1/2 to 2 in. Screwed NPT
Two-Way Normally Closed
Spring Return
Stem Up Closed

Flow Type	Modified linear.
Material	
Body	Bronze.
Seat	Stainless steel.
Stem	Stainless steel.
Plug	Stainless steel.
Packing	Spring loaded EPDM and TFE.
Disc	Teflon.
ANSI Pressure Class	250 psig (1723 kPa).
Max. Inlet Pressure Steam	100 psig (690 kPa).
Allowable Control Media Temperature	20 to 340 °F (-7 to 171 °C).
Differential Pressure psi (kPa)	
Water or Steam	35 (241).
Close-Off Rating	ANSI IV (0.01% leakage).


Two-Way Normally Closed Assemblies

Size in.	Cv (K _{vs})	Close-Off Pressure psi (kPa)	Two Position	Three Wire Floating 24 Vac	Proportional ^a 2-10 Vdc or 4-20 ma	Voltage Vac
1/2	0.4 (0.34)	250 (1723)	VA-7263-801-4-01	—	—	120
			VA-7263-804-4-01	VF-7263-804-4-01	VS-7263-804-4-01	24
	1.3 (1.1)		VA-7263-801-4-02	—	—	120
			VA-7263-804-4-02	VF-7263-804-4-02	VS-7263-804-4-02	24
	2.2 (1.9)		VA-7263-801-4-03	—	—	120
			VA-7263-804-4-03	VF-7263-804-4-03	VS-7263-804-4-03	24
4.4 (3.8)	VA-7263-801-4-04	—	—	120		
	VA-7263-804-4-04	VF-7263-804-4-04	VS-7263-804-4-04	24		
3/4	5.5 (4.7)	200 (1379)	VA-7263-801-4-05	—	—	120
			VA-7263-804-4-05	VF-7263-804-4-05	VS-7263-804-4-05	24
	7.5 (6.5)		VA-7263-801-4-06	—	—	120
			VA-7263-804-4-06	VF-7263-804-4-06	VS-7263-804-4-06	24
1	10 (8.6)	90 (620.5)	VA-7263-801-4-07	—	—	120
			VA-7263-804-4-07	VF-7263-804-4-07	VS-7263-804-4-07	24
	14 (12)		VA-7263-801-4-08	—	—	120
			VA-7263-804-4-08	VF-7263-804-4-08	VS-7263-804-4-08	24
1-1/4	20 (17.3)	60 (413.5)	VA-7263-801-4-09	—	—	120
			VA-7263-804-4-09	VF-7263-804-4-09	VS-7263-804-4-09	24
1-1/2	28 (21.2)	35 (241)	VA-7263-801-4-10	—	—	120
			VA-7263-804-4-10	VF-7263-804-4-10	VS-7263-804-4-10	24
2	40 (34.6)	20 (138)	VA-7263-801-4-11	—	—	120
			VA-7263-804-4-11	VF-7263-804-4-11	VS-7263-804-4-11	24
Higher Close-Off						
1-1/4	20 (17.3)	150 (1034)	VA-7263-592-4-09	—	—	120
			VA-7263-593-4-09	VF-7263-593-4-09	VS-7263-593-4-09	24
1-1/2	28 (21.2)	100 (689.5)	VA-7263-592-4-10	—	—	120
			VA-7263-593-4-10	VF-7263-593-4-10	VS-7263-593-4-10	24
2	40 (34.6)	65 (448)	VA-7263-592-4-11	—	—	120
			VA-7263-593-4-11	VF-7263-593-4-11	VS-7263-593-4-11	24

^a Factory proportional control signal is direct-acting. An increase in control signal will open a N.C. valve and close a N.O. valve.

7000 Series Bronze Globe Valves with Stainless Steel Trim Two-Way Normally Closed

Actuator Code Table.

Vx-7263-xxx-4-xx


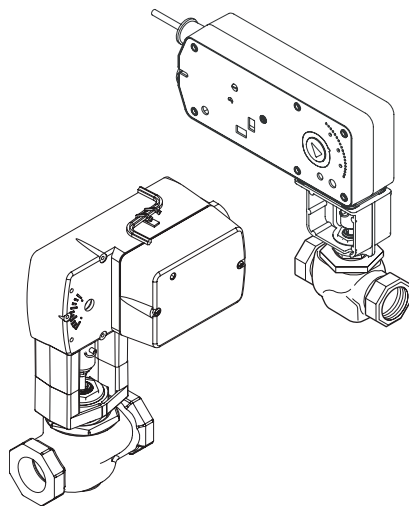
Actuator Codes	Model Prefix	Actuator Model (Reference pages 56 thru 59)	Description	Wiring Diagrams		Dimension Information	
				Page	Figure	Page	Figure
592	VA	MA51-7200	120 Vac, 2-Position	177	14	211	82
593	VA	MA51-7203	24 Vac, 2-Position	177	14	211	82
593	VF	MF51-7203	24 Vac, 3-Wire Floating	185 to 186	32 to 35	211	82
593	VS	MS51-7203	24 Vac, 2-10 Vdc Input ^a	198 to 199	63 to 66	211	82
801	VA	MA51-7100	120 Vac, 2-Position	177	14	210	80
804	VA	MA51-7103-100	24 Vac, 2-Position	177	14	210	80
804	VF	MF51-7103-100	24 Vac, 3-Wire Floating	185 to 186	32 to 35	210	80
804	VS	MS51-7103-100	24 Vac, 2-10 Vdc Input ^a	197	60 to 62	210	80

^a Reversible control signal.

Globe Valves

7000 Series Bronze Globe Valves with Stainless Steel Trim (Metal Seat) Two-Way Normally Closed

Globe Valves



1/2 to 2 in. Screwed NPT
Two-Way Normally Closed
Spring Return
Stem Up Closed

Flow Type	Modified linear.
Material	
Body	Bronze.
Seat	Stainless steel, metal to metal.
Stem	Stainless steel.
Plug	Stainless steel.
Packing	Spring loaded EPDM and TFE.
Disc	None.
ANSI Pressure Class	250 psig (1723 kPa).
Max. Inlet Pressure Steam	150 psig (1034 kPa).
Allowable Control Media Temperature	20 to 400 °F (-7 to 205 °C).
Differential Pressure psi (kPa)	
Water or	35 (241).
Steam	50 (345).
Close-Off Rating	ANSI III (0.1% leakage).


Two-Way Normally Closed Assemblies

Size in.	Cv (K _{vs})	Close-Off Pressure psi (kPa)	Two Position	Three Wire Floating 24 Vac	Proportional ^a 2-10 Vdc or 4-20 ma	Voltage Vac
1/2	0.4 (0.34)	250 (1723)	VA-7283-801-4-01	—	—	120
			VA-7283-804-4-01	VF-7283-804-4-01	VS-7283-804-4-01	24
	1.3 (1.1)		VA-7283-801-4-02	—	—	120
			VA-7283-804-4-02	VF-7283-804-4-02	VS-7283-804-4-02	24
	2.2 (1.9)		VA-7283-801-4-03	—	—	120
			VA-7283-804-4-03	VF-7283-804-4-03	VS-7283-804-4-03	24
4.4 (3.8)	VA-7283-801-4-04	—	—	120		
	VA-7283-804-4-04	VF-7283-804-4-04	VS-7283-804-4-04	24		
3/4	5.5 (4.7)	200 (1379)	VA-7283-801-4-05	—	—	120
			VA-7283-804-4-05	VF-7283-804-4-05	VS-7283-804-4-05	24
	7.5 (6.5)		VA-7283-801-4-06	—	—	120
			VA-7283-804-4-06	VF-7283-804-4-06	VS-7283-804-4-06	24
1	10 (8.6)	90 (620.5)	VA-7283-801-4-07	—	—	120
			VA-7283-804-4-07	VF-7283-804-4-07	VS-7283-804-4-07	24
	14 (12)		VA-7283-801-4-08	—	—	120
			VA-7283-804-4-08	VF-7283-804-4-08	VS-7283-804-4-08	24
1-1/4	20 (17.3)	60 (413.5)	VA-7283-801-4-09	—	—	120
			VA-7283-804-4-09	VF-7283-804-4-09	VS-7283-804-4-09	24
1-1/2	28 (21.2)	35 (241)	VA-7283-801-4-10	—	—	120
			VA-7283-804-4-10	VF-7283-804-4-10	VS-7283-804-4-10	24
2	40 (34.6)	20 (138)	VA-7283-801-4-11	—	—	120
			VA-7283-804-4-11	VF-7283-804-4-11	VS-7283-804-4-11	24
Higher Close-Off						
1-1/4	20 (17.3)	150 (1034)	VA-7283-592-4-09	—	—	120
			VA-7283-593-4-09	VF-7283-593-4-09	VS-7283-593-4-09	24
1-1/2	28 (21.2)	100 (689.5)	VA-7283-592-4-10	—	—	120
			VA-7283-593-4-10	VF-7283-593-4-10	VS-7283-593-4-10	24
2	40 (34.6)	65 (448)	VA-7283-592-4-11	—	—	120
			VA-7283-593-4-11	VF-7283-593-4-11	VS-7283-593-4-11	24

^a Factory proportional control signal is direct-acting. An increase in control signal will open a N.C. valve and close a N.O. valve.

7000 Series Bronze Globe Valves with Stainless Steel Trim (Metal Seat) Two-Way Normally Closed

Actuator Code Table.

Vx-7283-xxx-4-xx


Actuator Codes	Model Prefix	Actuator Model (Reference pages 56 thru 59)	Description	Wiring Diagrams		Dimension Information	
				Page	Figure	Page	Figure
592	VA	MA51-7200	120 Vac, 2-Position	177	14	211	82
593	VA	MA51-7203	24 Vac, 2-Position	177	14	211	82
593	VF	MF51-7203	24 Vac, 3-Wire Floating	185 to 186	32 to 35	211	82
593	VS	MS51-7203	24 Vac, 2-10 Vdc Input ^a	198 to 199	63 to 66	211	82
801	VA	MA51-7100	120 Vac, 2-Position	177	14	210	80
804	VA	MA51-7103-100	24 Vac, 2-Position	177	14	210	80
804	VF	MF51-7103-100	24 Vac, 3-Wire Floating	185 to 186	32 to 35	210	80
804	VS	MS51-7103-100	24 Vac, 2-10 Vdc Input ^a	197	60 to 62	210	80

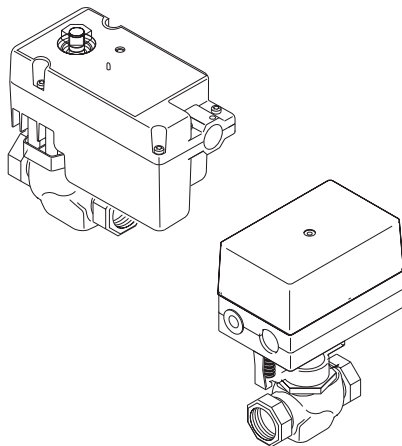
^a Reversible control signal.

Globe Valves

7000 Series Bronze Globe Valves with Stainless Steel Trim

Two-Way Non-Spring Return

Globe Valves



1/2 to 2 in. Screwed NPT

Two-Way Non-Spring Return

Stem Up Open

Flow Type	Modified linear.
Body	Bronze.
Seat	Stainless steel.
Stem	Stainless steel.
Material Plug	Stainless steel.
Packing	Spring loaded EPDM and TFE.
Disc	Teflon.
ANSI Pressure Class	250 psig (1723 kPa).
Max. Inlet Pressure Steam	100 psig (690 kPa).
Allowable Control Media Temperature	20 to 340 °F (-7 to 171 °C).
Differential Pressure (psig (kPa))	
Water or Steam	35 (241).
Close-Off Rating	ANSI IV (0.01% leakage).

Size in.	Cv (K _{vs})	Close-Off Pressure psi (kPa)	Three Wire Floating 24 Vac	Proportional ^a 0-10, 2-10 Vdc or 4-20 ma
1/2	0.4 (0.34)	130 (896)	VF-7253-255-4-01	VS-7253-256-4-01
		250 (1723)	VF-7253-265-4-01	—
	1.3 (1.1)	130 (896)	VF-7253-255-4-02	VS-7253-256-4-02
		250 (1723)	VF-7253-265-4-02	—
	2.2 (1.9)	130 (896)	VF-7253-255-4-03	VS-7253-256-4-03
		250 (1723)	VF-7253-265-4-03	—
4.4 (3.8)	130 (896)	VF-7253-255-4-04	VS-7253-256-4-04	
	250 (1723)	VF-7253-265-4-04	—	
3/4	5.5 (4.7)	80 (551)	VF-7253-255-4-05	VS-7253-256-4-05
		170 (1172)	VF-7253-265-4-05	—
	7.5 (6.5)	80 (551)	VF-7253-255-4-06	VS-7253-256-4-06
		170 (1172)	VF-7253-265-4-06	—
1	10 (8.6)	40 (276)	VF-7253-255-4-07	VS-7253-256-4-07
		80 (551)	VF-7253-265-4-07	—
		100 (689)	—	VS-7253-505-4-07
	14 (12)	40 (276)	VF-7253-255-4-08	VS-7253-256-4-08
		80 (551)	VF-7253-265-4-08	—
		100 (689)	—	VS-7253-505-4-08
1-1/4	20 (17.3)	25 (172)	VF-7253-255-4-09	VS-7253-256-4-09
		50 (345)	VF-7253-265-4-09	—
		60 (144)	—	VS-7253-505-4-09
1-1/2	28 (21.2)	33 (227)	VF-7253-265-4-10	—
		40 (276)	—	VS-7253-505-4-10
2	40 (34.6)	20 (138)	—	VS-7253-505-4-11

^a Factory proportional control signal is direct-acting. An increase in control signal will close a stem up open valve.

7000 Series Bronze Globe Valves with Stainless Steel Trim Two-Way Non-Spring Return

Size in.	Cv (Kvs)	Close-Off Pressure psig (kPa)	Three Wire Floating 24 Vac	Proportional ^a 0-10 Vdc or 4-20ma
Higher Close Off				
1-1/4	20 (17,3)	100 (689)	—	VS-7253-506-4-09
		150 (1034)	VF-7253-301-4-09	VS-7253-422-4-09
1-1/2	28 (21.2)	70 (482)	—	VS-7253-506-4-10
		100 (689)	VF-7253-301-4-10	VS-7253-422-4-10
		40 (276)	—	VS-7253-506-4-11
2	40 (34.6)	50 (345)	VF-7253-301-4-11	VS-7253-422-4-11
Highest Close Off				
2	40 (34.6)	80 (551)	VF-7253-508-4-11	VS-7253-508-4-11

^a Factory proportional control signal is direct-acting. An increase in control signal will close a stem up open valve.

Actuator Code Table.

Vx-7253-xxx-4-xx



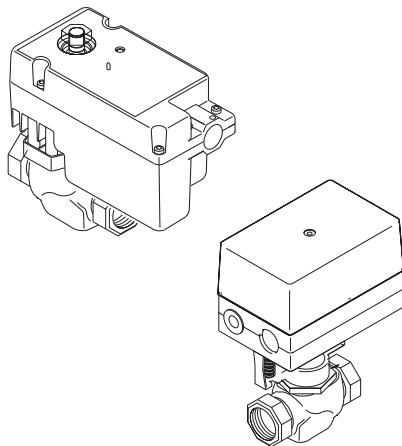
Actuator Codes	Model Prefix	Actuator Model (Reference pages 56 thru 59)	Description	Wiring Diagrams		Dimension Information	
				Page	Figure	Page	Figure
255	VF	MF-22303	24 Vac, 3-Wire Floating	177	15	209	78
256	VS	MS-22353	24 Vac, 2-10 Vdc Control	187 to 188	38 to 39	209	78
265	VF	MF-23303	24 Vac, 3-Wire Floating ^a	177	15	209	78
301	VF	MF-63103	24 Vac, 3-Wire Floating	177	16	209	79
422	VS	MF-63123-411	24 Vac, 4-20 mA Input ^b	186	36	209	79
505	VS	MS41-6043	24 Vac, 0-10 Vdc Control ^b	192	49 to 50	208	76
506	VS	MS41-6083	24 Vac, 0-10 Vdc Input	192	49 to 50	208	76
508	VF	MF41-6153	24 Vac, 3-Wire Floating	179	20	212	84
508	VS	MS41-6153	24 Vac, 2-10 Vdc Input ^b	193	51 to 52	212	84

^a Requires a control with time out.

^b Reversible control signal.

7000 Series Bronze Globe Valves with Stainless Steel Trim (Metal Seat) Two-Way Non-Spring Return

Globe Valves



1/2 to 2 in. Screwed NPT Two-Way Non-Spring Return Stem Up Open

Flow Type	Modified linear.
Body	Bronze.
Seat	Stainless steel, metal to metal.
Stem	Stainless steel.
Material	
Plug	Stainless steel.
Packing	Spring loaded EPDM and TFE.
Disc	None.
ANSI Pressure Class	250 psig (1723 kPa).
Max. Inlet Pressure Steam	150 psig (1034 kPa).
Allowable Control Media Temperature	20 to 400 °F (-7 to 205 °C).
Differential Pressure (psig (kPa))	
Water	35 (241).
Steam	50 (345).
Close-Off Rating	ANSI III (0.1% leakage).

Size in.	Cv (K _{vs})	Close-Off Pressure psi (kPa)	Three Wire Floating 24 Vac	Proportional ^a 2-10 Vdc or 4-20 ma
1/2	0.4 (0.34)	130 (896)	VF-7273-255-4-01	VS-7273-256-4-01
		250 (1723)	VF-7273-265-4-01	—
	1.3 (1.1)	130 (896)	VF-7273-255-4-02	VS-7273-256-4-02
		250 (1723)	VF-7273-265-4-02	—
	2.2 (1.9)	130 (896)	VF-7273-255-4-03	VS-7273-256-4-03
		250 (1723)	VF-7273-265-4-03	—
4.4 (3.8)	130 (896)	VF-7273-255-4-04	VS-7273-256-4-04	
	250 (1723)	VF-7273-265-4-04	—	
3/4	5.5 (4.7)	80 (551)	VF-7273-255-4-05	VS-7273-256-4-05
		170 (1172)	VF-7273-265-4-05	—
	7.5 (6.5)	80 (551)	VF-7273-255-4-06	VS-7273-256-4-06
		170 (1172)	VF-7273-265-4-06	—
1	10 (8.6)	40 (276)	VF-7273-255-4-07	VS-7273-256-4-07
		80 (551)	VF-7273-265-4-07	—
		100 (689)	—	VS-7273-505-4-07
	14 (12)	40 (276)	VF-7273-255-4-08	VS-7273-256-4-08
		80 (551)	VF-7273-265-4-08	—
		100 (689)	—	VS-7273-505-4-08
1-1/4	20 (17.3)	25 (172)	VF-7273-255-4-09	VS-7273-256-4-09
		50 (345)	VF-7273-265-4-09	—
		60 (144)	—	VS-7273-505-4-09
1-1/2	28 (21.2)	33 (227)	VF-7273-265-4-10	—
		40 (276)	—	VS-7273-505-4-10
2	40 (34.6)	20 (138)	—	VS-7273-505-4-11

^a Factory proportional control signal is direct-acting. An increase in control signal will close a stem up open valve.


7000 Series Bronze Globe Valves with Stainless Steel Trim (Metal Seat) Two-Way Non-Spring Return

Globe Valves

Size in.	Cv (Kvs)	Close-Off Pressure psig (kPa)	Three Wire Floating 24 Vac	Proportional ^a Vdc or 4-20ma
Higher Close Off				
1-1/4	20 (17,3)	100 (689)	—	VS-7273-506-4-09
		150 (1034)	VF-7273-301-4-09	VS-7273-422-4-09
1-1/2	28 (21.2)	70 (483)	—	VS-7273-506-4-10
		100 (689)	VF-7273-301-4-10	VS-7273-422-4-10
2	40 (34.6)	40 (276)	—	VS-7273-506-4-11
		50 (345)	VF-7273-301-4-11	VS-7273-422-4-11
Highest Close Off				
2	40 (34.6)	80 (551)	VF-7273-508-4-11	VS-7273-508-4-11

^a Factory proportional control signal is direct-acting. An increase in control signal will close a stem up open valve.

Actuator Code Table.

Vx-7273-xxx-4-xx


Actuator Codes	Model Prefix	Actuator Model (Reference pages 56 thru 59)	Description	Wiring Diagrams		Dimension Information	
				Page	Figure	Page	Figure
255	VF	MF-22303	24 Vac, 3-Wire Floating	177	15	209	78
256	VS	MS-22353	24 Vac, 2-10 Vdc Control	187 to 188	38 to 39	209	78
265	VF	MF-23303	24 Vac, 3-Wire Floating ^a	177	15	209	78
301	VF	MF-63103	24 Vac, 3-Wire Floating	177	16	209	79
422	VS	MF-63123-411	24 Vac, 4-20 mA Input ^b	186	36	209	79
505	VS	MS41-6043	24 Vac, 0-10 Vdc Control ^b	192	49 to 50	208	76
506	VS	MS41-6083	24 Vac, 0-10 Vdc Input	192	49 to 50	208	76
508	VF	MF41-6153	24 Vac, 3-Wire Floating	179	20	212	84
508	VS	MS41-6153	24 Vac, 2-10 Vdc Input ^b	193	51 to 52	212	84

^a Requires a control with time out.

^b Reversible control signal.